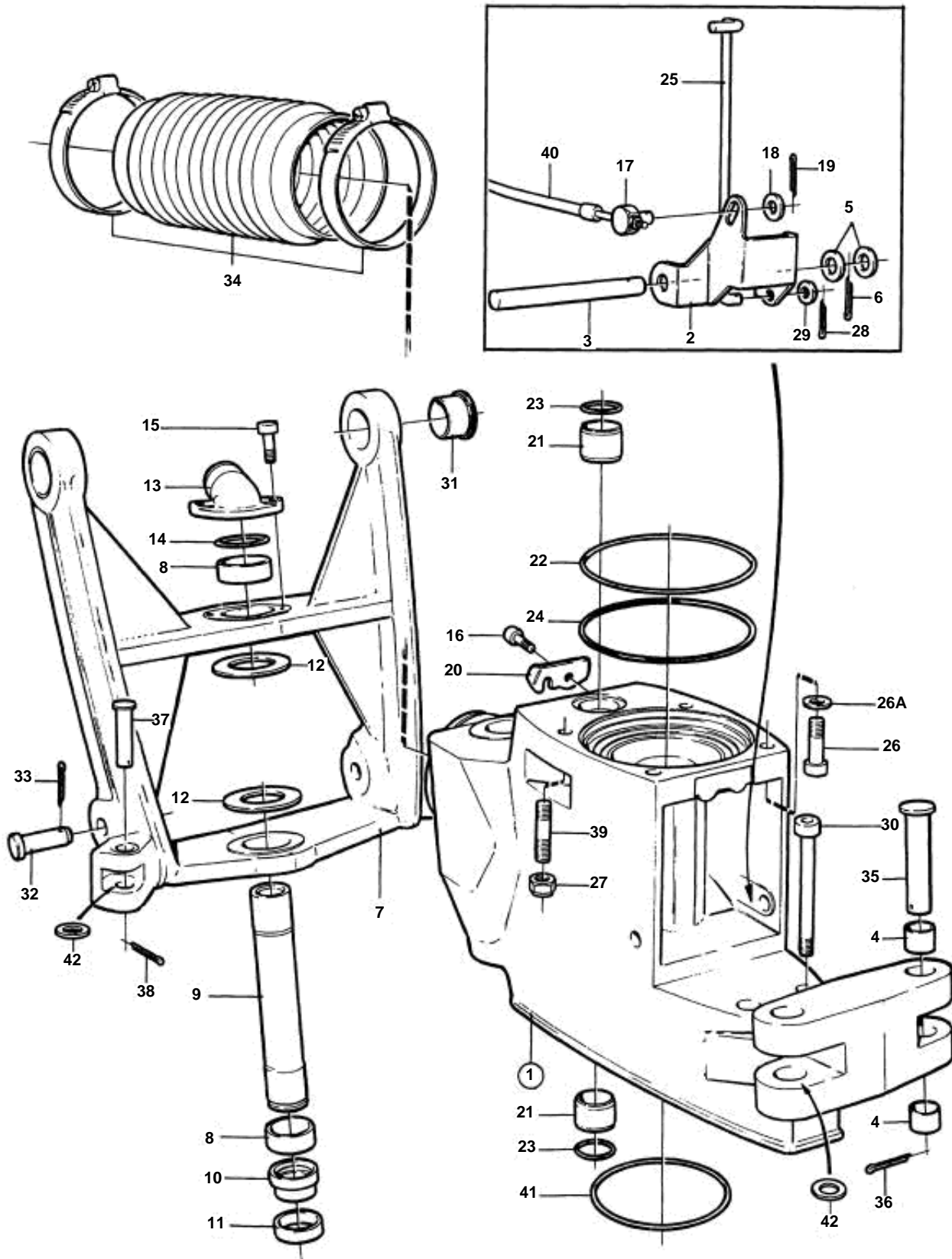


# DPX - INTERMEDIATE HOUSING



# DPX - INTERMEDIATE HOUSING

REF	PART NO.	QTY	DESCRIPTION	NOTES
1	872921	1	Intermediate housing	
2	872977	1	· Gear yoke	
3	897447	1	· Shaft	
4	873109	4	· Bushing	
5	897511	2	· Washer	
6	17253	1	· Cotter pin	
7	872539	1	Suspension fork	
8	872756	2	· Bearing bushing	
9	872753	1	Steering knuckle	
10	873534	1	Retainer	
11	872755	1	Seal	
12	872754	2	Thrust washer	
13	872752	1	Hose connection	
14	979254	1	O-ring	
15	940169	2	Screw	
16	940168	2	Screw	
17	804312	1	Cube	
18	940191	1	Washer	
19	17276	1	Cotter pin	
20	872940	1	Cable attachment	
21	872986	2	Sleeve	
22	925259	1	O-ring	
23	125017	2	O-ring	
24	941826	X	Adjusting washer, 05 mm)	
	941827	X	Adjusting washer, 20 mm)	
	948230	X	Shim, 35 mm)	
25	872822	1	Control rod	
26	959456	2	Allen head screw	
26a	853095	2	Washer	
27	941885	2	Nut	
28	17253	1	Cotter pin	
29	940191	1	Washer	
30	941808	3	Screw	
31	876507	1	Bushing kit	
32	872126	2	Clevis pin	
33	967707	2	Cotter pin	
34	876631	X	Bellows kit	
35	872922	2	Pin	
36	967707	2	Cotter pin	
37	872970	2	Pin	
38	979874	2	Cotter pin	
39		2	STUD	Included in upper gear unit
40		X	CONTROL CABLE	
41	925256	1	O-ring	Included in upper gear unit
42	873352	4	Washer	
43	873395	1	Zinc anod	